

SAFETY GUIDE

WARNING - Before using, read these user's manuals of this product to ensure correct usage through understanding. After reading, store them in a safe place for future reference. Incorrect handling of this product could possibly result in personal injury or physical damage. The manufacturer assumes no responsibility for any damage caused by mishandling that is beyond normal usage defined in these manuals of this product.

- You will be using sharp tools. Always use personal protective equipment such as gloves and safety glasses to avoid the risk of injury.
- Make sure the floor you step on is dry, free from any liquids such as oil and water when assembling this product. Use anti-slip shoes to avoid falling due to slips.
- Keep this product out of reach of electric current, as this product is made of metal that conducts electricity.
- Make sure there is adequate lighting when doing the assembly. When assembling keep it away from children and pets.
- Please note, that whether you are cleaning manually or semi-automatically all solid waste must be removed with a scoop and spot washed with the cordless power washer prior to cleaning.

EQUIPMENT FOR ASSEMBLE

Not included in the item package.

- Safety transparent glass (if there any)
- Safety Gloves and Safety Shoes
- Metal Scissors
- Electrical Hand Drill



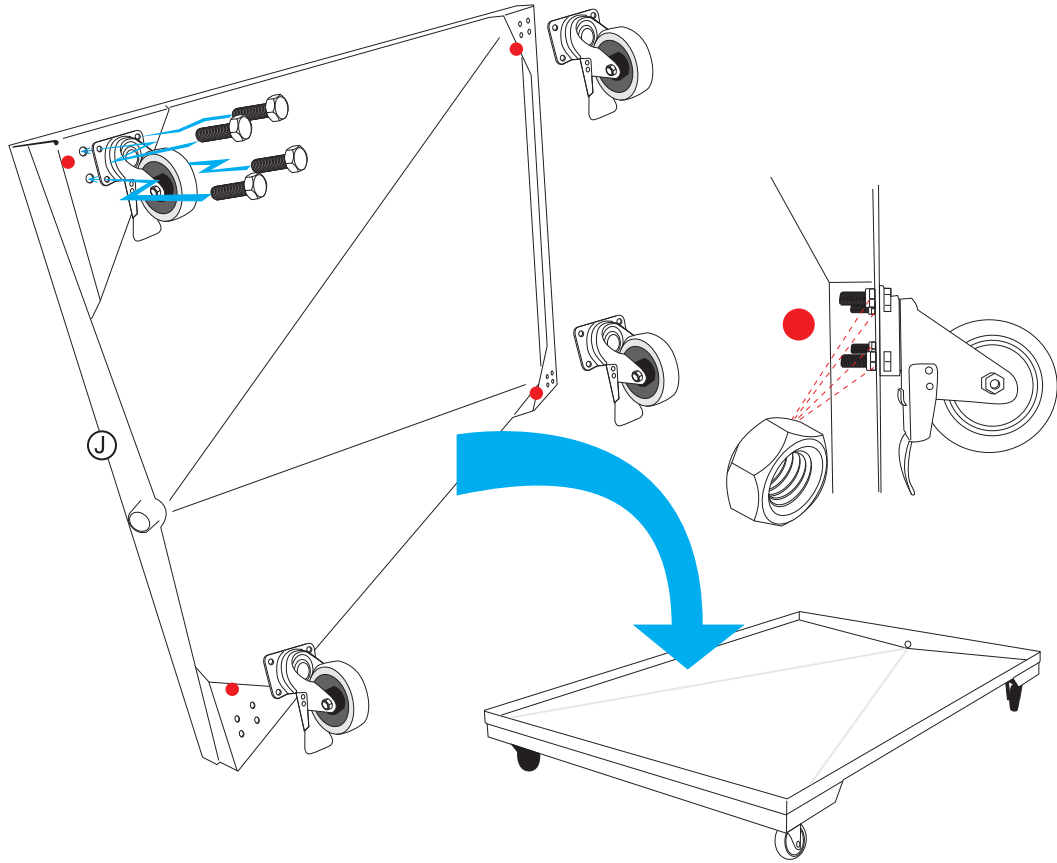
It is recommended that you have knowledge of assembly are helpful.

K9 KENNEL STORE

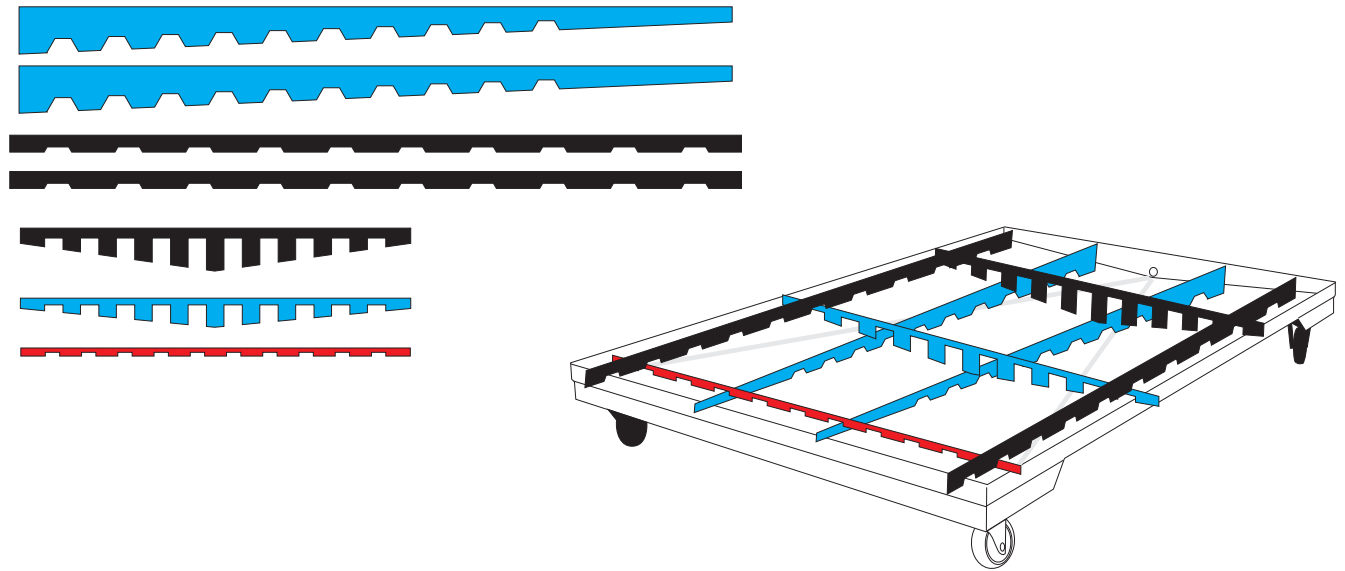
833 West 27th Street Ogden, Ut 84401
Phone : (801) 621-4024 Fax :(801) 621-4353
E-Mail : k9kennelsstore@gmail.com

ASSEMBLY

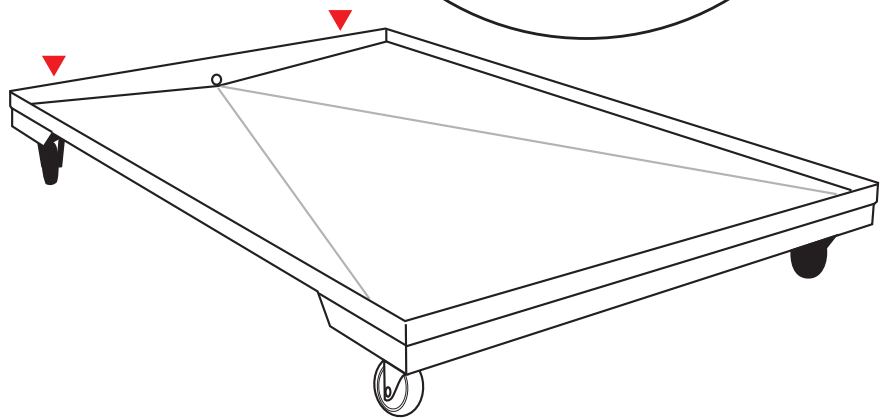
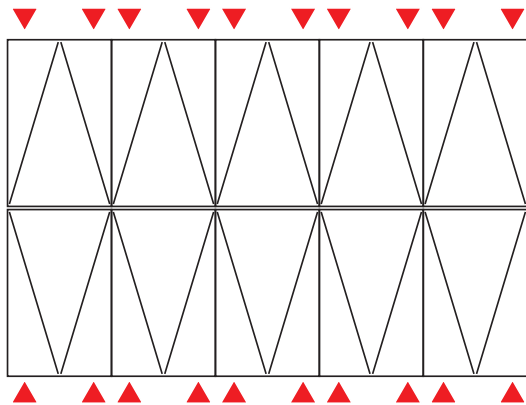
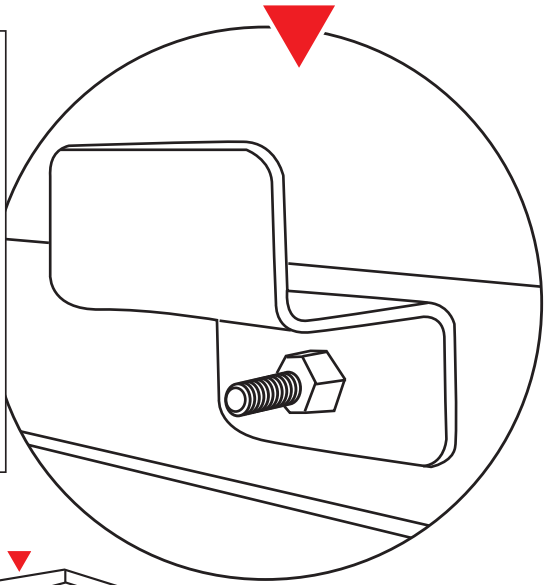
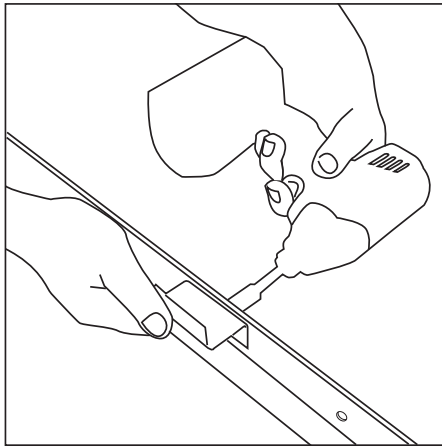
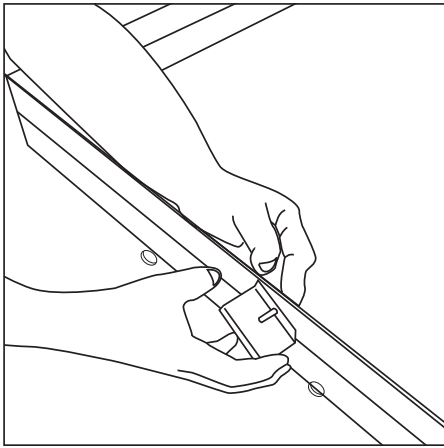
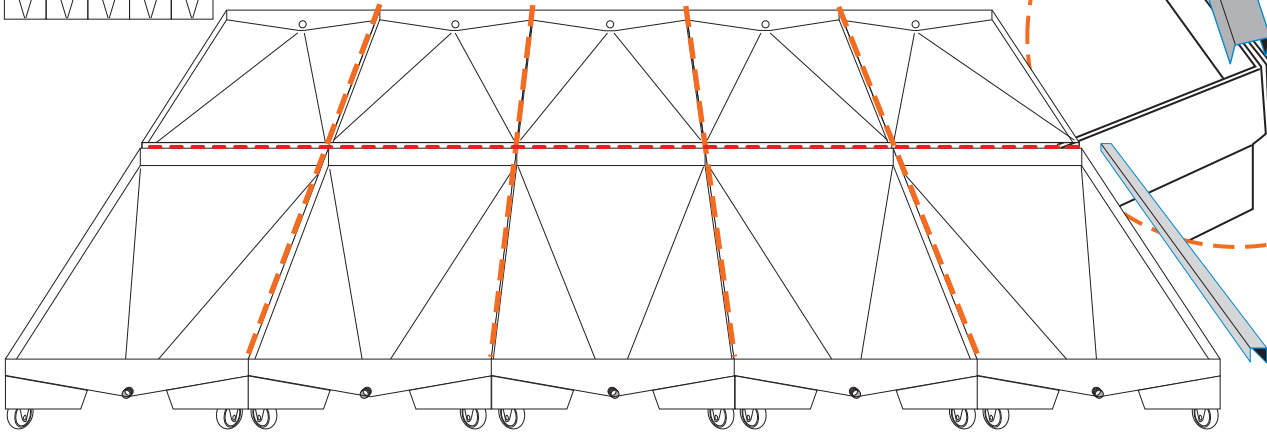
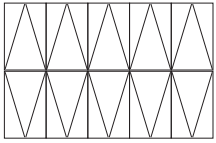
1 Assemble Casters to Floor Pan



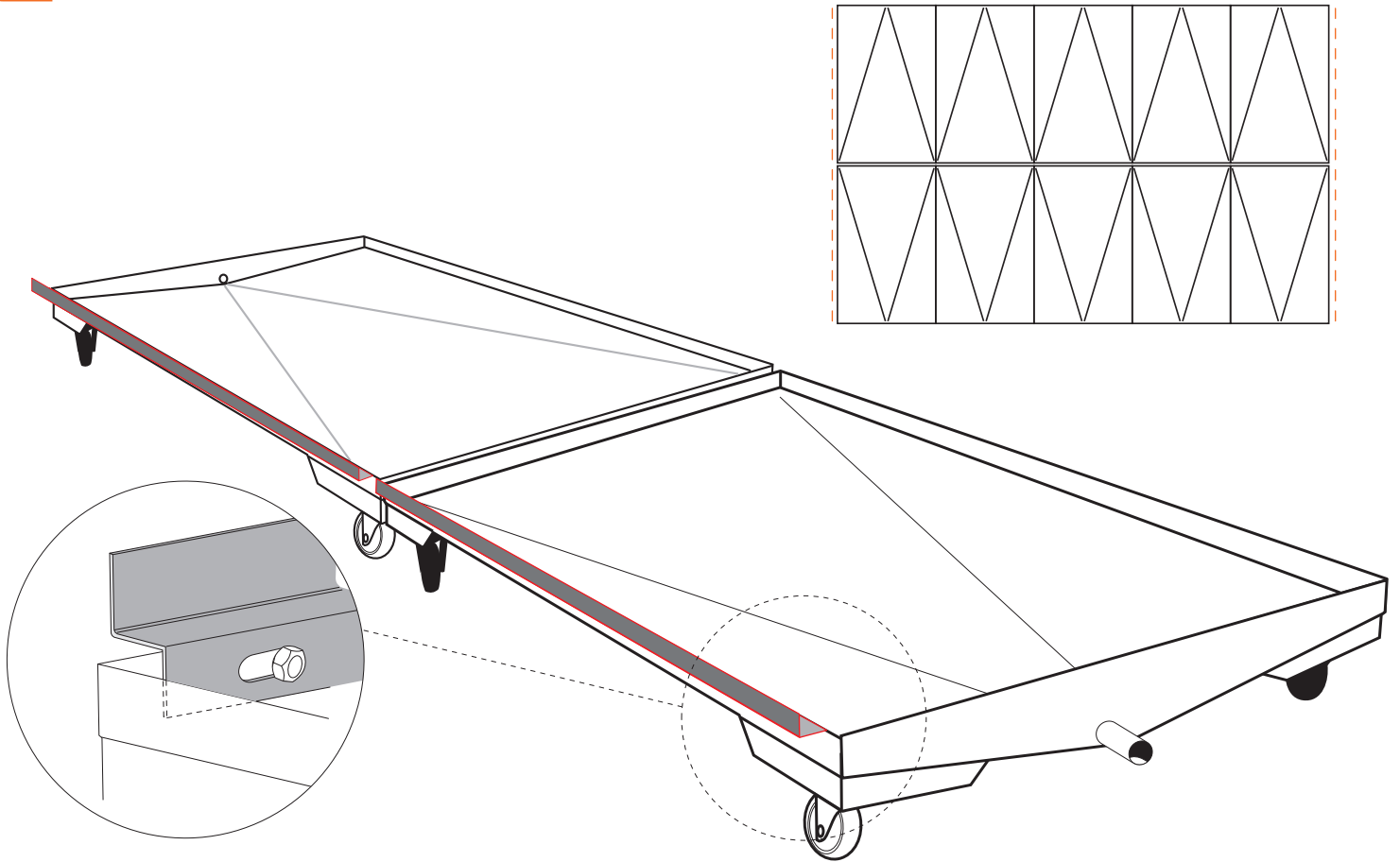
2 Cross Connect the Floor Support Grid



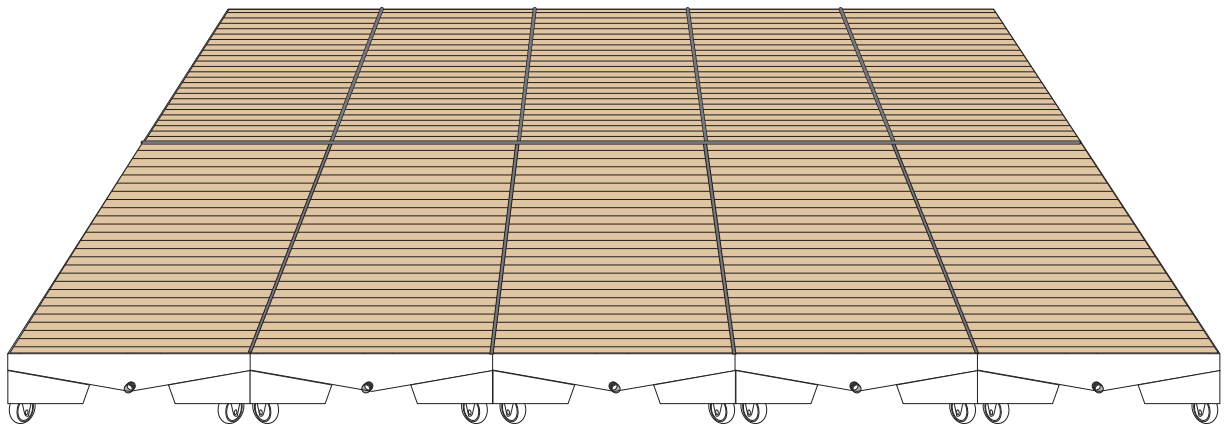
3 Arrange the floors.



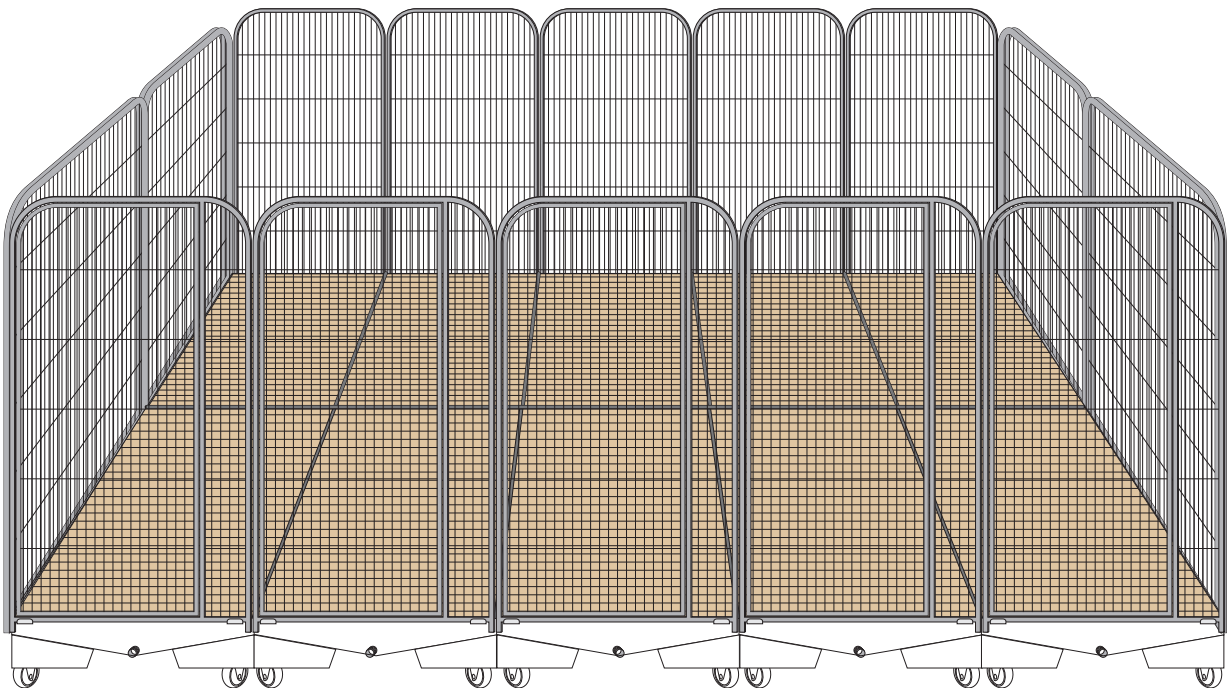
4 Insert Raised Flooring



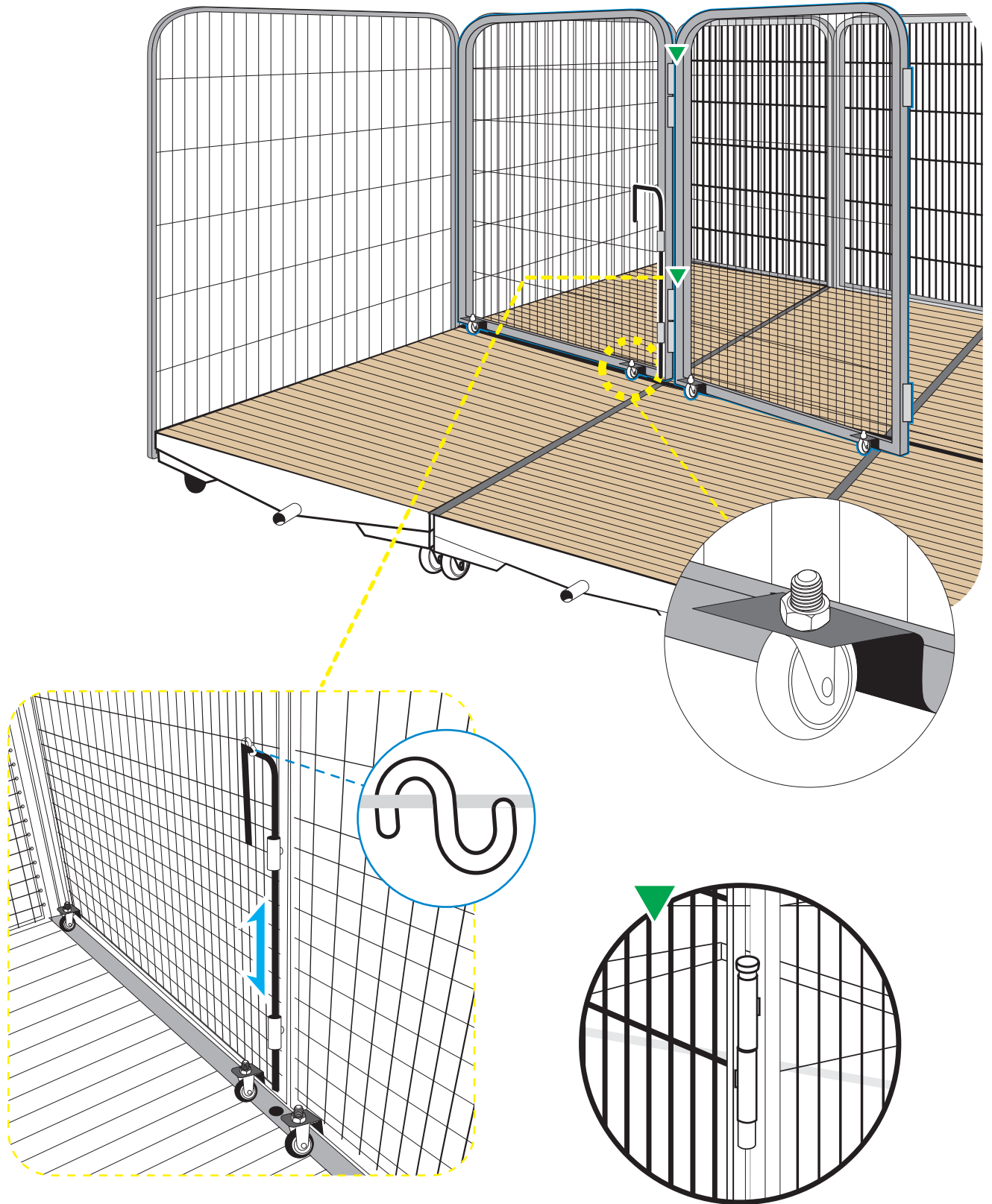
4 Insert Raised Flooring

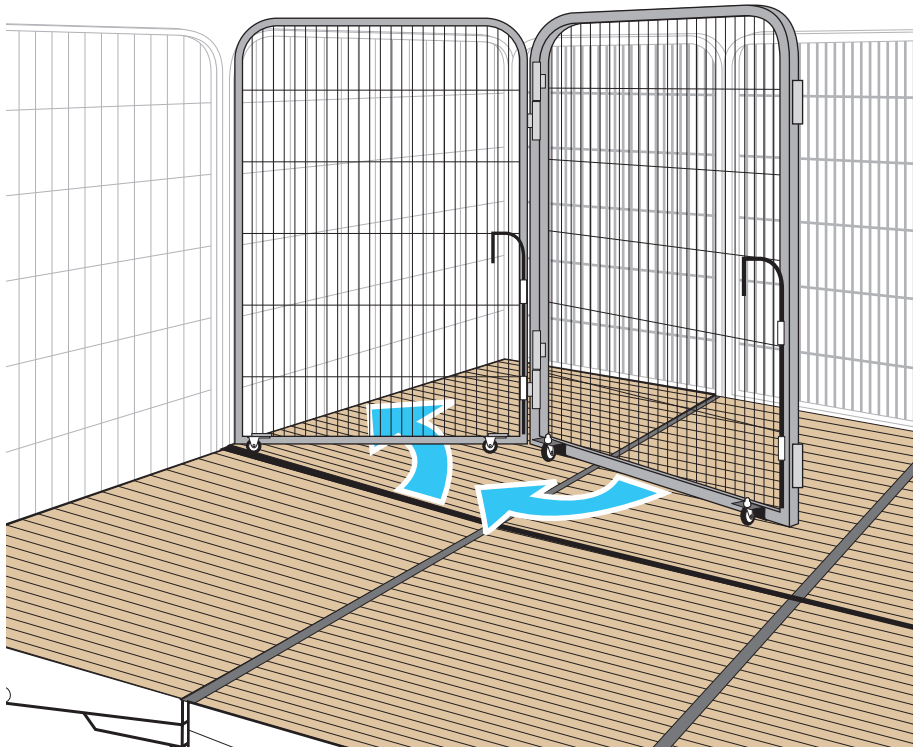


5 Attach the outside panels wall



6 Attach the foldable partitions

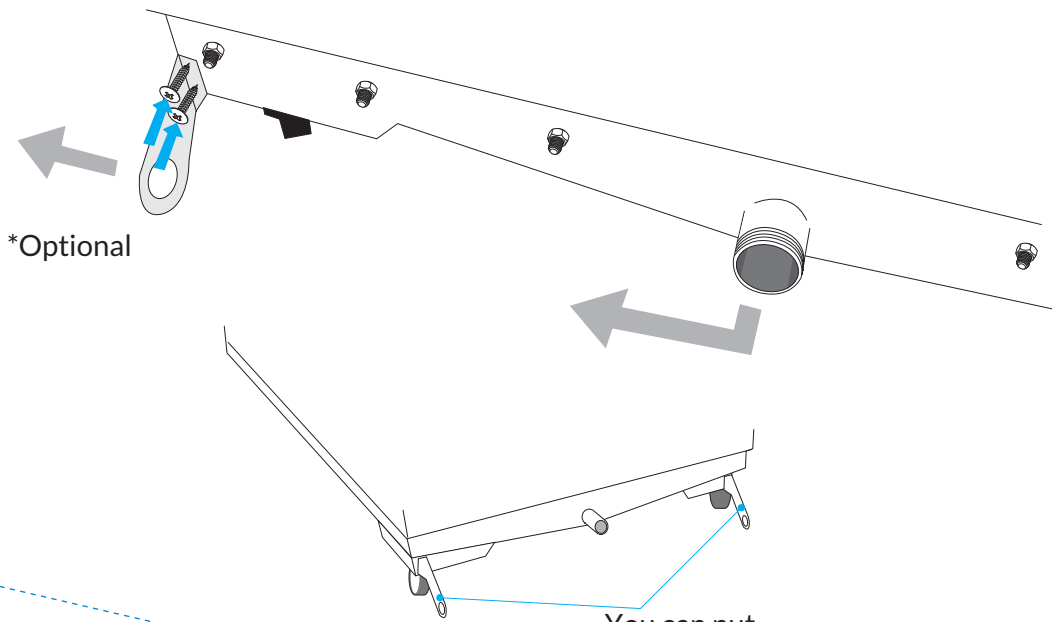




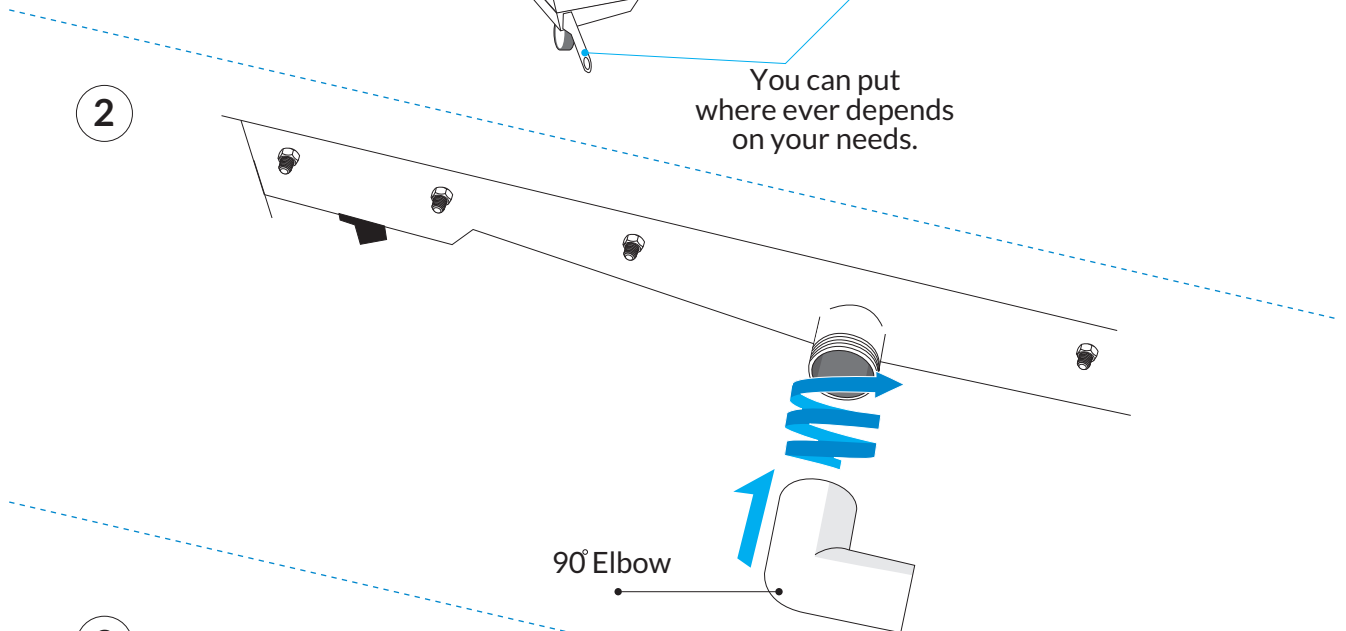
Foldable Fence Partition
to make bigger space or
manage your Kennel

6 Plumbing System Assembly

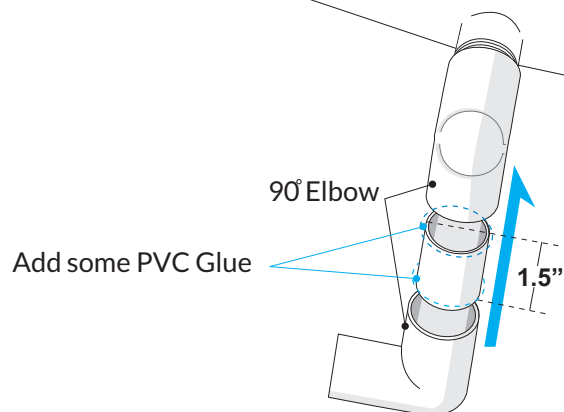
1



2



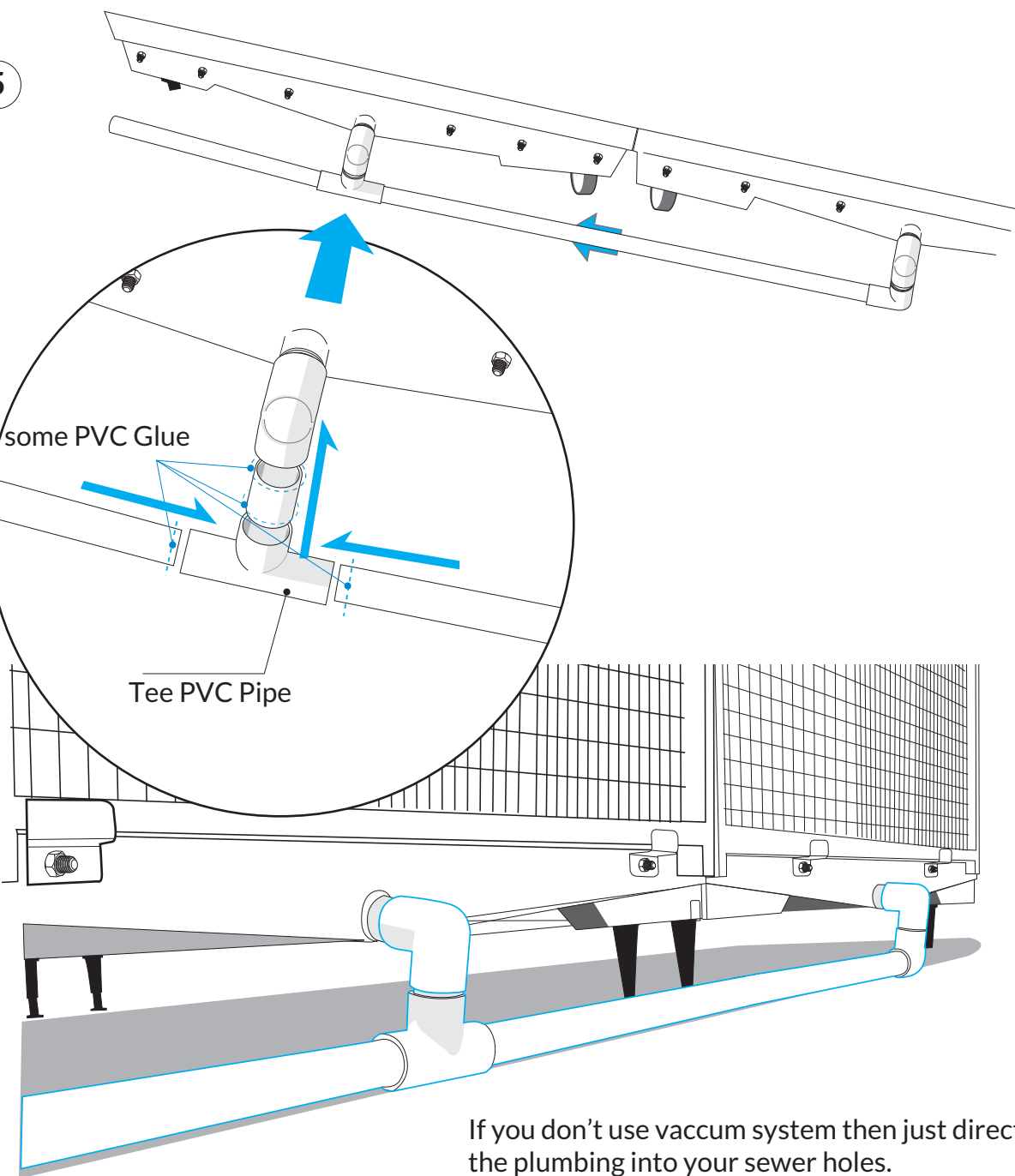
3



5

Add some PVC Glue

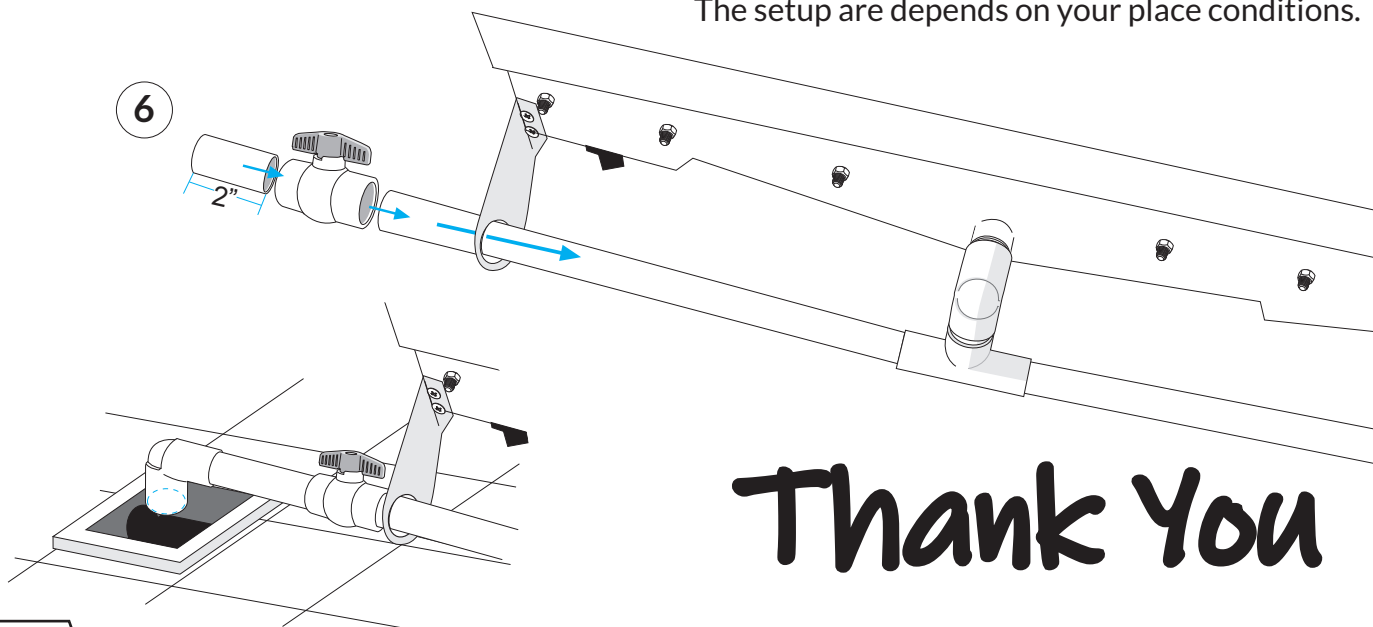
Tee PVC Pipe



If you don't use vaccum system then just direct the plumbing into your sewer holes.
The setup are depends on your place conditions.

6

2"



Thank You